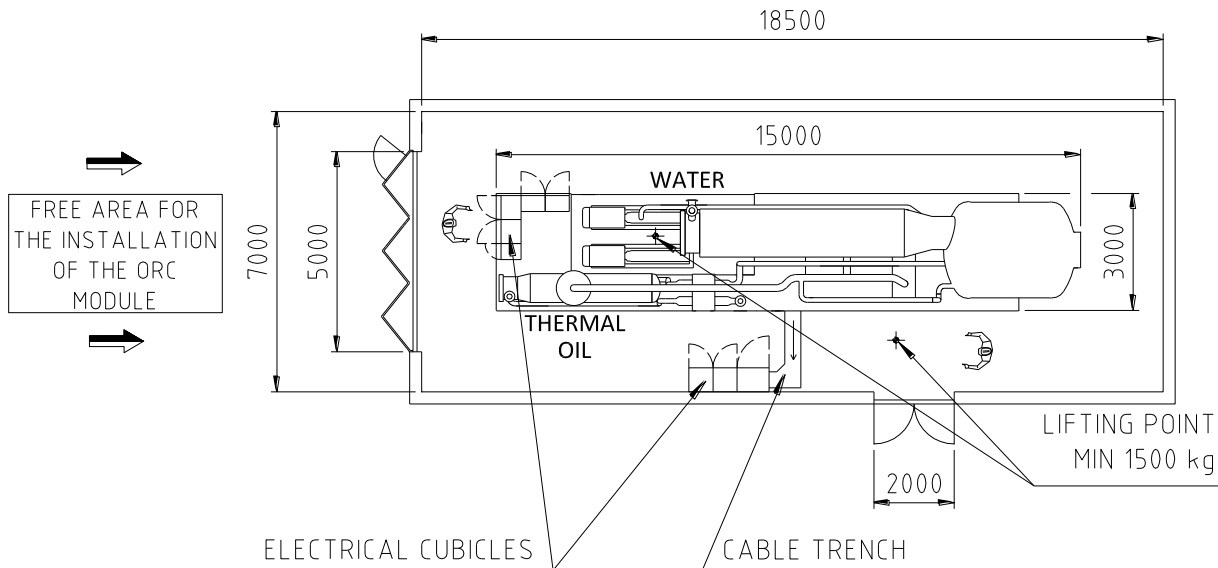
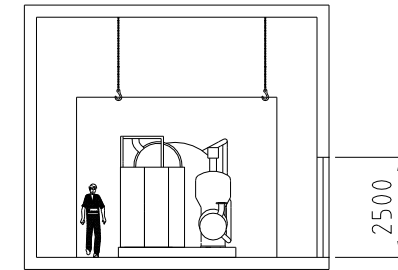
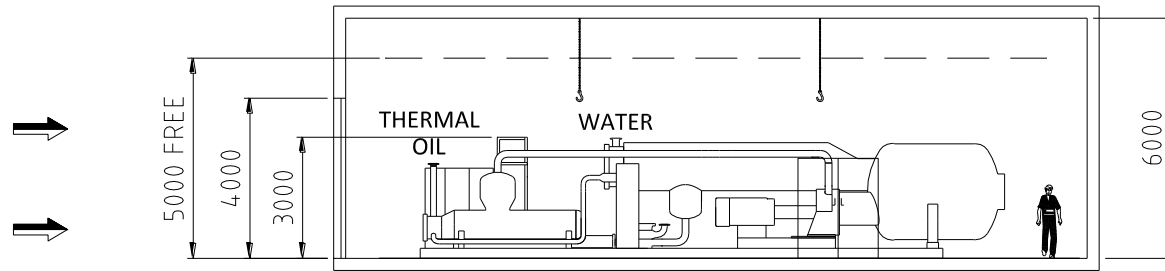


Doc.: 03Q00069

Subject: TURBODEN 6 / 7-CHP/HR

ORC room example

Page: 1 / 1

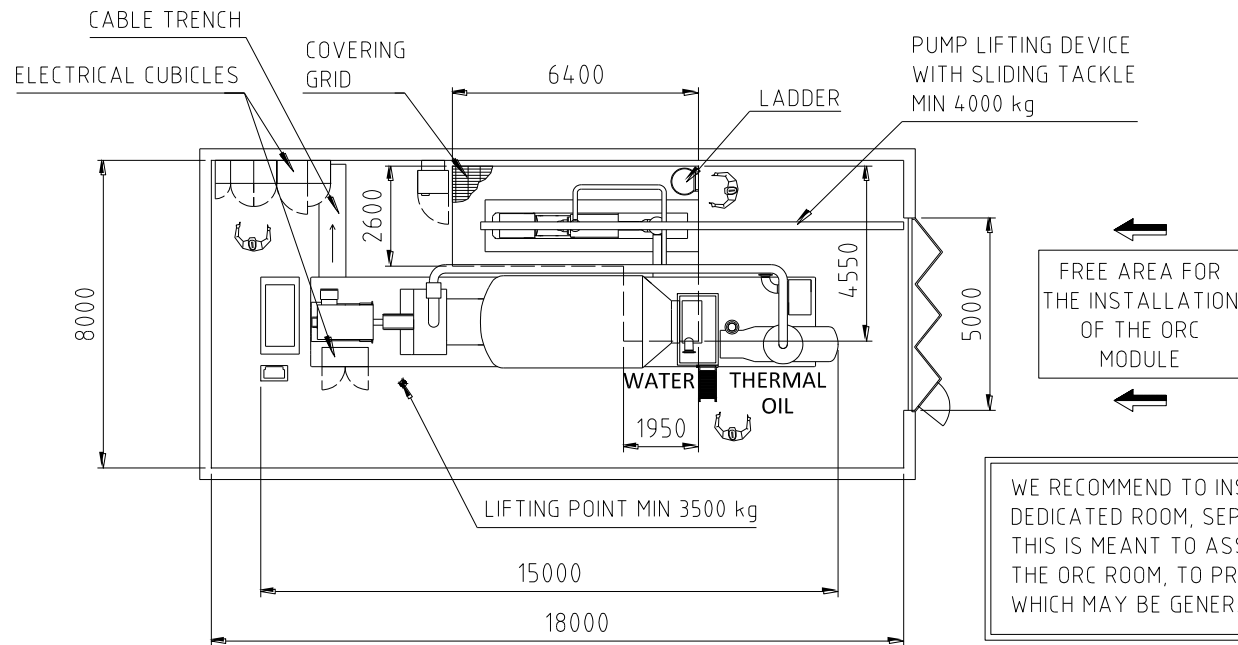
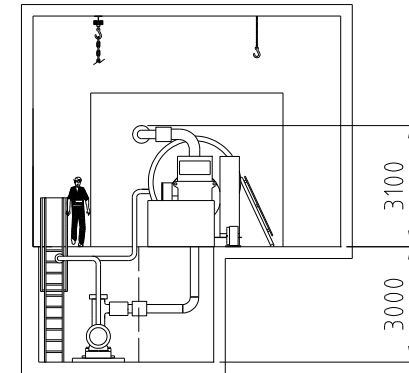
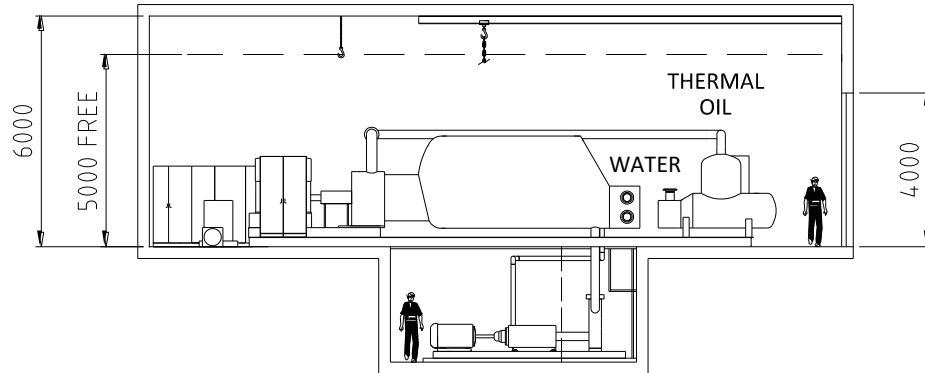


WE RECOMMEND TO INSTALL THE ORC MODULE IN A DEDICATED ROOM, SEPARATED FROM THE BOILER ROOM. THIS IS MEANT TO ASSURE A PROPER VENTILATION OF THE ORC ROOM, TO PROTECT IT FROM POWDER OR FIRE EVENTS WHICH MAY BE GENERATED FROM ITEMS NON SUPPLIED BY TURBODEN.

Doc.: 03Q0008A

Subject: TURBODEN 10-CHP/HR ORC room example

Page: 1 / 1



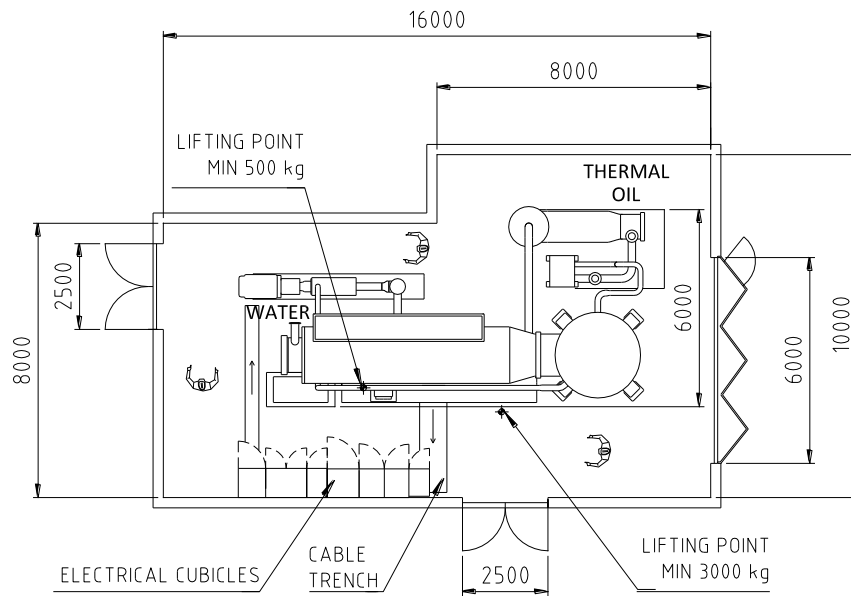
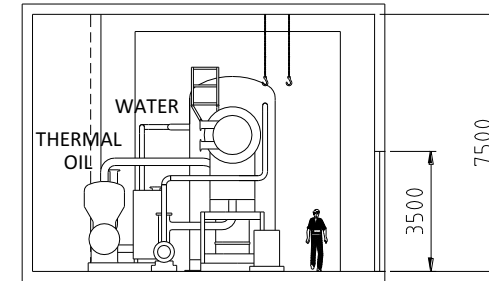
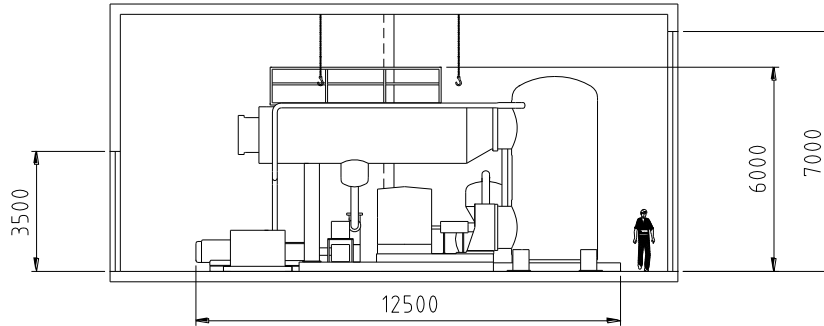
WE RECOMMEND TO INSTALL THE ORC MODULE IN A DEDICATED ROOM, SEPARATED FROM THE BOILER ROOM. THIS IS MEANT TO ASSURE A PROPER VENTILATION OF THE ORC ROOM, TO PROTECT IT FROM POWDER OR FIRE EVENTS WHICH MAY BE GENERATED FROM ITEMS NON SUPPLIED BY TURBODEN.

Doc.: 03Q00057

Subject: TURBODEN 14-CHP/HR

ORC room example

Page: 1 / 1



FREE AREA FOR THE INSTALLATION OF THE ORC MODULE

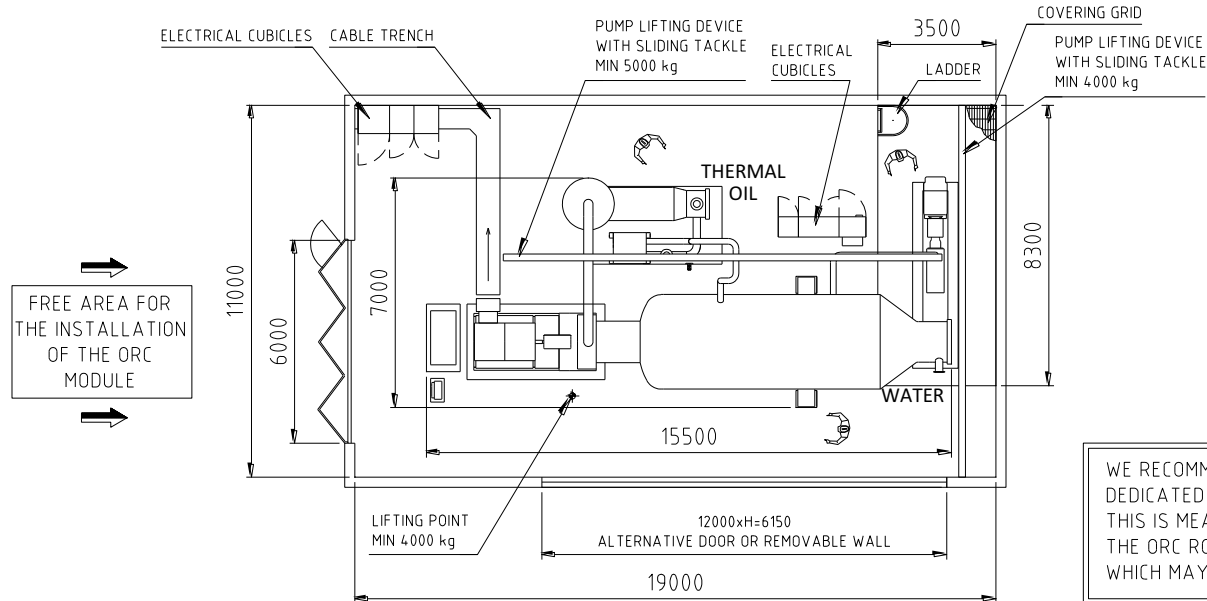
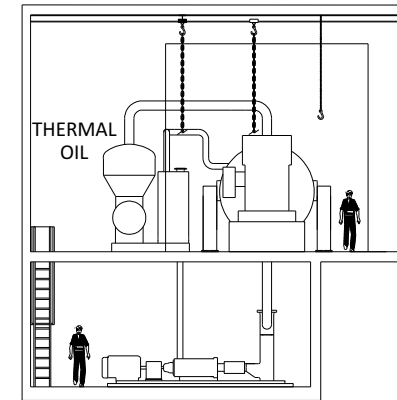
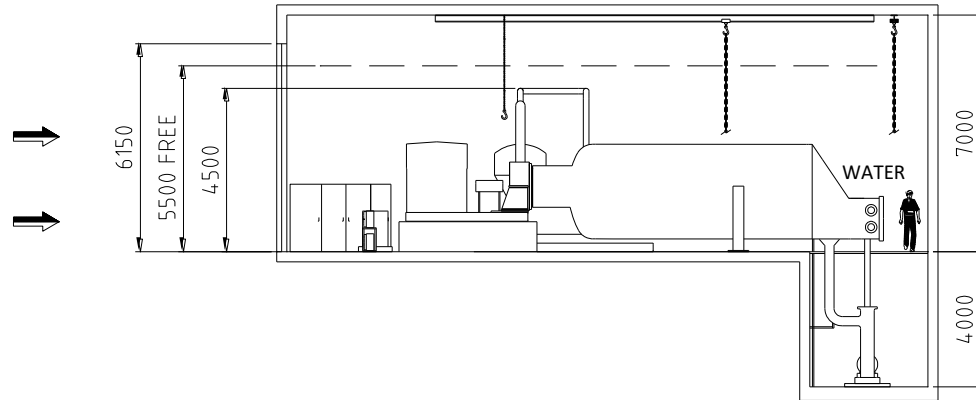
WE RECOMMEND TO INSTALL THE ORC MODULE IN A DEDICATED ROOM, SEPARATED FROM THE BOILER ROOM. THIS IS MEANT TO ASSURE A PROPER VENTILATION OF THE ORC ROOM, TO PROTECT IT FROM POWDER OR FIRE EVENTS WHICH MAY BE GENERATED FROM ITEMS NON SUPPLIED BY TURBODEN.

Doc.: 04Q00037

Subject: TURBODEN 18-CHP/HR

ORC room example

Page: 1 / 1



WE RECOMMEND TO INSTALL THE ORC MODULE IN A DEDICATED ROOM, SEPARATED FROM THE BOILER ROOM. THIS IS MEANT TO ASSURE A PROPER VENTILATION OF THE ORC ROOM, TO PROTECT IT FROM POWDER OR FIRE EVENTS WHICH MAY BE GENERATED FROM ITEMS NON SUPPLIED BY TURBODEN.

Doc.: 06Q00085

Subject: TURBODEN 22-CHP/HR ORC room example

Page: 1 / 1

